



# LED Fresnel

Model# LT123-440-07-011

440W RGBWSLAC LED Fresnel Spotlight



The LED Fresnel 440W is a powerful and versatile lighting fixture featuring a 1200W 8-in-1 COB LED light source RGBWSLAC (Red, Green, Blue, White, Warm White, Lemon, Amber, Cyan). It offers a wide range of colors, tunable white light, and flexible control options, making it ideal for theatrical, studio, and stage lighting applications.

## ADVANCE COLOR MIXING

The lighting fixtures incorporate an advanced optical color mixing system designed to deliver exceptional performance in color blending and brightness. This sophisticated system ensures that the individual colors from the LED light source are seamlessly integrated, resulting in a significantly better color mixing effect and enhanced overall brightness.



## TECHNICAL SPECIFICATIONS

### Photometric Data

- **Light Source:** 1200W RGBWSLAC 8-in-1 COB
- **Color Temperature (CCT):** 2000K to 12000K
- **Color Rendering Index(CRI):**  $\geq 90$
- **Color Quality Scale (CQS):**  $\geq 90$
- **Beam Angle:** 15° to 55° (manual zoom)
- **Selectable PWM:** 4000Hz - 25000Hz

### Dynamic Effect

- **Dimmer Mode:** 8 & 16 bits
- **Shutter/Strobe:** Electronic
- **Zoom:** Manual
- **Strobe Rate:** 0 to 30 Hz
- **Dim Modes:** 4 kinds

### Controls

- **Protocol:** DMX512, RDM
- **Number of DMX Channel:** 5/8/12/16 Chnl

### Electrical

- **Main Power Supply:** 110/220V-AC, 50/60Hz
- **Total Max. Power:** 440W

### Connections

- **Power Connectors:** powerCON in/out
- **Data Connectors:** 3- or 5-pin XLR in/out
- **Cable Length (power):** 1.5 m

### Thermal

- **Cooling:** PWM silent operate fan
- **Min / Max Ambient :** 10°C / 40°C

### Construction & Physical

- **Dimension:** 531 x 324 x 444 mm
- **Net Weight:** 11.5 kg
- **Body:** Die Cast Aluminum
- **Exterior Body Color:** Black + Gray
- **IP Rating:** IP20 Compliant

### Certifications / Approvals

- UL, CE, RoHS, FCC, ETL, BIS



# LED Fresnel

Model# LT123-440-07-011  
 440W RGBWSLAC LED Fresnel Spotlight

## PHOTOMETRIC DATA (Illuminance)

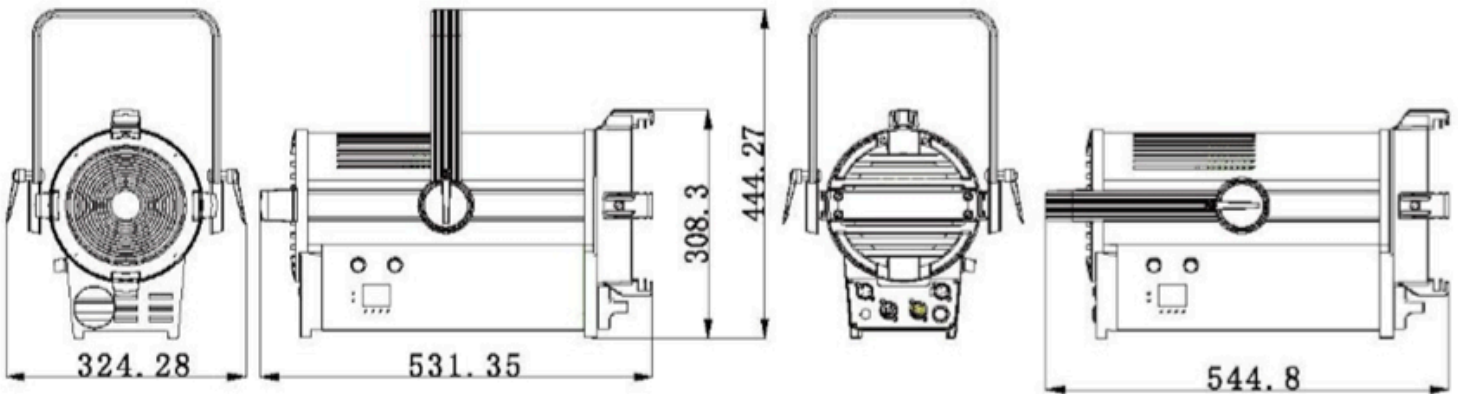
Photometric data illustrates the illuminance (LUX) and beam spread (spot-size) of LT123 Lighting Fixture at various distances, specifically for its 15° and 55° beam angles.

At a tight 15° beam angle, the fixture delivers a powerful 24014 LUX at 2 meters, maintaining a significant 960 LUX even at 10 meters. The spot-size expands gradually from 0.53 meters at 2 meters to 2.63 meters at 10 meters, indicating a focused beam.

Distance (m)		2	4	6	8	10
LUX						
Spotsize (m)						
	15°	0.53	1.05	1.58	2.11	2.63
	55°	2.08	3.91	6.25	8.33	10.41
	15°	24014	6003	2668	1500	960
	55°	6003	1500	667	375	240

When set to a wider 55° beam angle, the light provides a broader coverage. While the initial intensity is lower at 6003 LUX at 2 meters, it still offers 240 LUX at 10 meters. The spot-size for the 55° beam is considerably larger, ranging from 2.08 meters at 2 meters to 10.41 meters at 10 meters. This data highlights the fixture's versatility, capable of both intense, narrow beams and wide, even washes to suit diverse lighting requirements.

## Mechanical Dimensions



## ORDERING INFO

### Power

150W = 150  
 200W = 200  
 300W = 300  
 440W = 440

### Color (XY)

CW = 01  
 WW = 02  
 CW+WW = 03  
 RGBW = 04

### Color (XY)

RGBL = 05  
 RGBWL = 06  
 RGBALC = 07  
 RGBWSALC = 08

### Option A

No Lens = 0  
 15° Lens = 1  
 30° Lens = 2  
 60° Lens = 3

### Option B

No Zoom = 0  
 Manual Zoom = 1  
 Auto Zoom = 2

### Option C

DMX = 0  
 DMX + RDM = 1  
 LoraWAN = 2

LT123 -    - X Y - A B C  
 -POWER- -COLOR- -OPTION-