



LED Fresnel

Model# LT123-350-06-021

350W RGBAL LED Fresnel Spotlight



The LED Fresnel 350W is a powerful and versatile lighting fixture featuring a 500W 5-in-1 COB LED light source RGBAL (Red, Green, Blue, Lemon, Amber and White). It offers a wide range of colors, tunable white light, and flexible control options, making it ideal for theatrical, studio, and stage lighting applications.

ADVANCE COLOR MIXING

The lighting fixtures incorporate an advanced optical color mixing system designed to deliver exceptional performance in color blending and brightness. This sophisticated system ensures that the individual colors from the LED light source are seamlessly integrated, resulting in a significantly better color mixing effect and enhanced overall brightness.



TECHNICAL SPECIFICATIONS

Photometric Data

- **Light Source:** 500W RGBLA 5-in-1 COB
- **Color Temperature (CCT):** 2200K to 8500K
- **Color Rendering Index(CRI):** ≥ 97
- **Color Quality Scale (CQS):** ≥ 97
- **Beam Angle:** 15° to 55° (Auto zoom)
- **Selectable PWM:** 4000Hz - 25000Hz

Dynamic Effect

- **Dimmer Mode:** 8 & 16 bits
- **Shutter/Strobe:** Electronic
- **Zoom:** Manual
- **Strobe Rate:** 0 to 30 Hz
- **Dim Modes:** 4 kinds

Controls

- **Protocol:** DMX512, RDM
- **Number of DMX Channel:** 8CHNL /12CHNL

Electrical

- **Main Power Supply:** 110/220V-AC, 50/60Hz
- **Total Max. Power:** 350W

Connections

- **Power Connectors:** powerCON in/out
- **Data Connectors:** 3- or 5-pin XLR in/out
- **Cable Length (power):** 1.5 m

Thermal

- **Cooling:** Fan
- **Min / Max Ambient :** 10°C / 40°C

Construction & Physical

- **Dimension:** 481 x 324 x 444 mm
- **Net Weight:** 9.2 kg
- **Body:** Die Cast Aluminum
- **Exterior Body Color:** Black + Gray
- **IP Rating:** IP20 Compliant

Certifications / Approvals

- UL, CE, RoHS, FCC, ETL, BIS



LED Fresnel | Model# LT123-350-06-021



350W RGBAL LED Fresnel Spotlight

PHOTOMETRIC DATA (Illuminance)

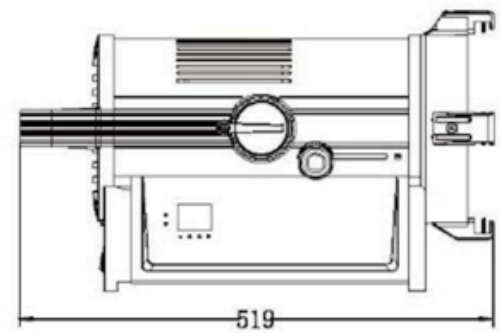
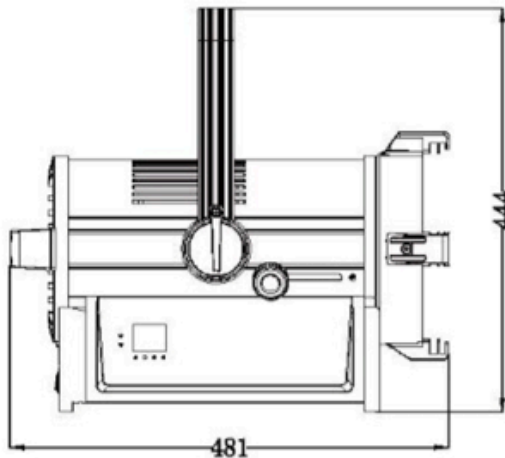
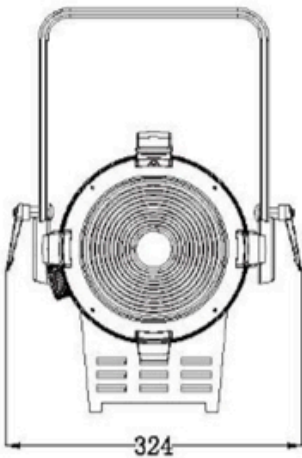
This photometric data provides detailed illuminance (LUX) and spot-size measurements for the LT123-350-06 fixture across various distances and color temperatures, at both 15° and 55° beam angles.

For 15° beam, the light maintains a tight spot-size, expanding from 0.53m at 2m to 2.63m at 10m. Illuminance is highest at 6000K, reaching 52032 LUX at 2m, and remaining strong at 2081 LUX at 10m. Lower color temperatures, such as 2800K, still provide substantial output, with 32700 LUX at 2m.

At the wider 55° beam angle, the spot-size broadens significantly, from 2.08m at 2m to 10.41m at 10m. While the LUX values are lower due to the wider spread, they remain effective for wash applications. For instance, at 6000K, it delivers 11648 LUX at 2m and 466 LUX at 10m. This comprehensive data demonstrates the fixture's adaptability for diverse lighting needs, from focused beams to broad washes, across a range of color temperatures.

Distance (m)		2	4	6	8	10
LUX	15°					
	55°					
Spotsize (m)	15°	0.53	1.05	1.58	2.11	2.63
	55°	2.08	3.91	6.25	8.33	10.41
2800K	15°	32700	8175	3633	2044	1308
	55°	8304	2076	923	519	332
3200K	15°	38144	9536	4238	2384	1526
	55°	8972	2243	997	561	359
4000K	15°	38636	9659	4293	2415	1545
	55°	10412	2603	1157	651	416
5600K	15°	46804	11701	5200	2925	1872
	55°	11204	2801	1245	700	448
6000K	15°	52032	13008	5781	3252	2081
	55°	11648	2912	1294	728	466

Mechanical Dimensions



ORDERING INFO

LT123 - - X Y - A B C
 -POWER- -COLOR- -OPTION-

Power

150W = 150
 200W = 200
 300W = 300
 440W = 440

Color (XY)

CW = 01
 WW = 02
 CW+WW = 03
 RGBW = 04

Color (XY)

RGBL = 05
 RGBAL = 06
 RGBWSALC = 07
 RGBWAL = 08

Option A

No Lens = 0
 15° Lens = 1
 30° Lens = 2
 60° Lens = 3

Option B

No Zoom = 0
 Manual Zoom = 1
 Auto Zoom = 2

Option C

DMX = 0
 DMX + RDM = 1
 LoraWAN = 2